

Clamps, Grabs & Tongs



The Caldwell Group • 800-628-4263 • www.caldwellinc.com

Rig-Master® Section
2011-2013 Master Catalog

Model BC - Beam Clamp

IN-STOCK PROGRAM



PRODUCT FEATURES:

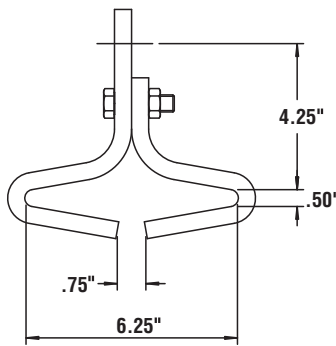
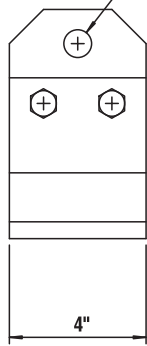
- Rated load capacity of one ton.
- Economical and convenient.
- Lightweight and portable design, high strength construction.
- Use only for vertical lifting.
- Complies with ASME standards.

SPECIFICATIONS

| Model Number | Rated Capacity (tons) | Flange | | Weight (lbs.) |
|--------------|-----------------------|------------|------------|---------------|
| | | Min. (in.) | Max. (in.) | |
| 55 - 1 | 1 | 4 | 6 | 10 |

Shackle not included (13/16" dia. hole for up to 3-1/4 ton shackle).

13/16" DIA.
FOR UP TO 3-1/4 TON SHACKLE



For lifting and positioning structural beams. Can be used in pairs in conjunction with a spreader beam for additional versatility.



Allows for the capability of hanging hoists or rigging from an overhead load bearing structure.

Model BT - Beam Tongs

IN-STOCK PROGRAM



PRODUCT FEATURES:

- Tong provided with lifting shackle.
- Load must be balanced and controlled when lifting.
- Use only for vertical lifting.
- For added stability when handling longer loads, use in pairs with a spreader beam.
- Complies with ASME standards.

SPECIFICATIONS

| Model Number | Rated Capacity (tons) | Dimensions (inches) | | | Weight (lbs.) |
|--------------|-----------------------|------------------------|-----------------------|-----------|---------------|
| | | Beam Width Min. - Max. | Max. Flange Thickness | Head Room | |
| | | | | | |
| 111 - 1 | 1 | 5 - 6 | 5/8 | 17 | 15 |
| 111 - 2 | 2 | 6.50 - 8 | 3/4 | 19 | 18 |
| 111 - 3 | 3 | 7.50 - 10 | 3/4 | 19 | 21 |

